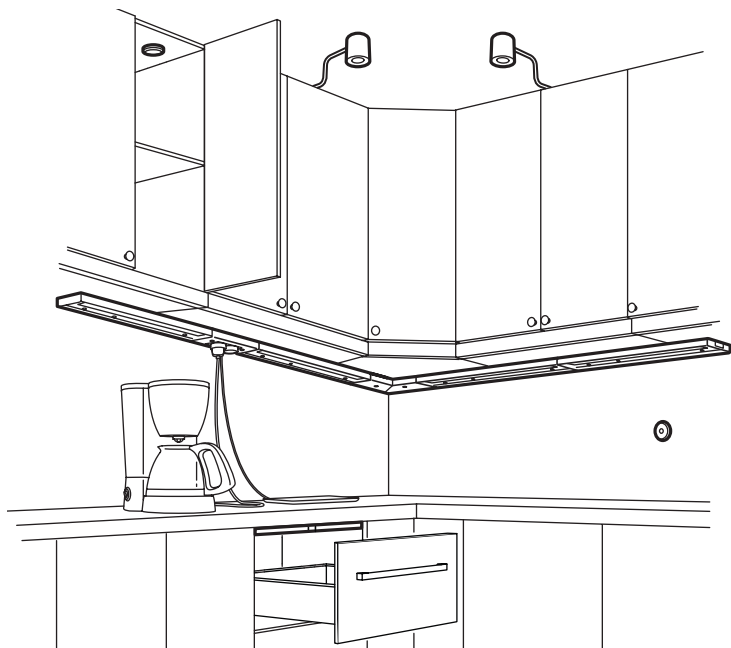


INTEGRATED KITCHEN LIGHTING



Good, functional lighting

Lighting is important in all kitchens, both for safety and appearance. Good, even lighting across your countertop makes cooking and other kitchen chores safer, easier and more fun. And spotlights, cabinet lights and drawer lighting doesn't just help you find what you're looking for, but adds a decorative element to your kitchen.

At IKEA, we have two series of integrated lighting: UTRUSTA and OMLOPP. The UTRUSTA series has corner modules as well as electrical and USB outlets. The OMLOPP series has a slim design and is easy to install. If you like, you can combine the series to fit your needs. Add the remote control to dim, and set the mood for every occasion.

A high standard of accuracy has been sought in the preparation of this brochure. We apologize for, but will not be bound by or responsible for, errors and omissions in this brochure.

All the products shown here may not be available at the store. Please contact an IKEA co-worker or visit IKEA-USA.com for more information. For more detailed product information, see the price tag or the website. All units require assembly.



CONTENT

HOW TO PLAN	3
HOW TO BUILD	
UTRUSTA LED COUNTERTOP LIGHTING.....	5
OMLOPP LED COUNTERTOP LIGHTING	9
LED SPOTLIGHTS AND CABINET LIGHTING	11
LED DRAWER LIGHTING.....	13
ALL PARTS AND PRICES	14

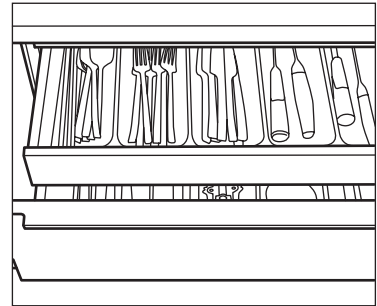
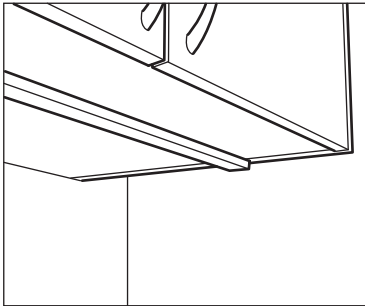
HOW TO PLAN

Planning or updating your kitchen?

No kitchen is complete without good, functional lighting. That's why it's a good idea to include lighting when you're planning and buying your kitchen. It makes it easier to install and saves you lots of time and effort. But what if you just want to improve the lighting in your current kitchen? Don't worry, we have solutions for that, too. Remember that all kitchens are different – plan for your own needs!

Start by deciding where you want lighting in the kitchen. Then decide which lighting system will suit you and your kitchen best. Start by choosing your preferred countertop lighting. Then add spotlights, cabinet lighting and drawer lighting.

Check out our offer below:



LED Countertop lighting

At IKEA, we have 2 integrated lighting series – UTRUSTA and OMLOPP. Both give you task lighting, mood lighting, and are dimmable. You save energy too, since both series use LEDs, which consume 85% less energy and last up to 20 times longer than a regular incandescent bulb.

USE: UTRUSTA, OMLOPP.

Spotlights and cabinet lighting

Spotlights are a decorative and functional choice for wall cabinets with glass doors. They make it easy to look inside your cabinets and brighten up your kitchen at the same time.

Cabinet lighting is easy to choose, as it comes in different versions to match both modern and traditional styles.

USE: OMLOPP, FORMAT, URSHULT, LINDSHULT, MAGLEHULT.

Drawer lighting

OMLOPP drawer lighting switches on and off as you open and close your drawers. No more hide and seek with your kitchen equipment!

USE: OMLOPP.

HOW TO PLAN

UTRUSTA or OMLOPP?

Product Benefits	UTRUSTA	OMLOPP
Dimmable with ANSLUTA remote control	●	●
Corner joint	●	
Part of a series	●	●
Plug outlet and USB port	●	
Hardwired installation*	●	
Needs ANSLUTA transformer and cords**		●
Cable management included		●
Light output***	210 lumen	186 lumen

* Must be installed by a qualified electrician.

** ANSLUTA transformers and cords are sold separately.

*** The light output is per 15¾" countertop light; for the other sizes see the price tag.

HOW TO BUILD

UTRUSTA LED countertop lighting

UTRUSTA LED countertop lighting is hardwired and must always be installed by a professional electrician. See the list below for all parts and accessories that you need.

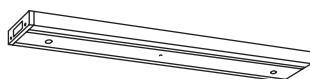
- Start from the left with UTRUSTA LED countertop light with power supply.
- Count how many units you need for your kitchen.
- Use max. two 2 outlet power strip with USB port. You can connect up to 10 units to one countertop light with power supply.
- Add a remote control to dim lights in 2 steps. The whole combination will turn on and off at the same time.

Basic parts



UTRUSTA LED countertop light with power supply

Length: 15"
Color: white and aluminum



UTRUSTA LED countertop light

Length: 15", 18" and 24"
Color: white and aluminum



UTRUSTA 2 outlet power strip with USB port

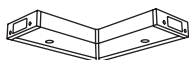
Length: 8"
Colour: white and aluminum



ANSLUTA remote control

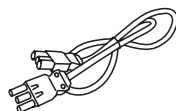
Diameter: 3 1/8"
Color: white

Installation accessories



UTRUSTA corner joint

Length: 8"
Color: white and aluminum



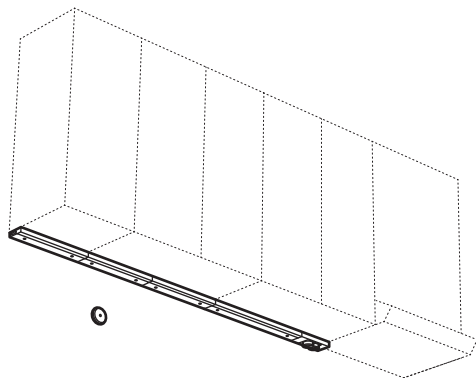
UTRUSTA intermediate connection cord

Length: 39"

COMBINATIONS FOR UTRUSTA

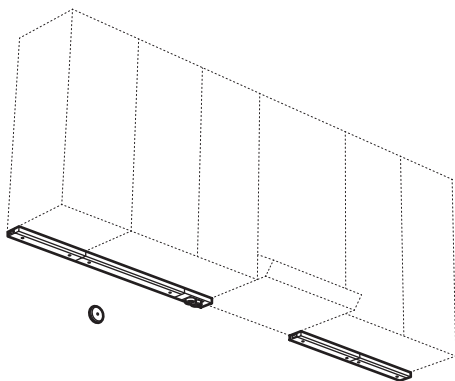
Small kitchen

Begin building your lighting system from the left, using UTRUSTA LED countertop lighting with power supply, 15¾".



Hood to the side.

Product name	Quantity
UTRUSTA LED countertop light with power supply 15"	1 pc
UTRUSTA LED countertop light 15"*	2 pc
UTRUSTA LED countertop light 24"*	1 pc
UTRUSTA 2 outlet power strip with USB port 8"	1 pc
ANSLUTA remote control	1 pc



Hood in the middle. You need 2 UTRUSTA LED countertop lights with power supply: one when you start, one after the hood.

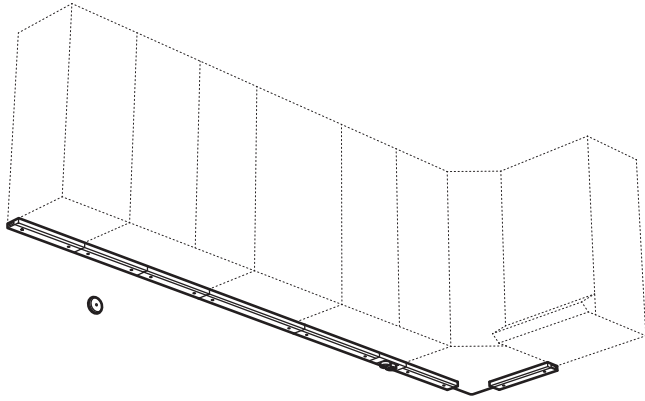
Product name	Quantity
UTRUSTA LED countertop light with power supply 15"	2 pcs
UTRUSTA LED countertop light 24"*	1 pc
UTRUSTA 2 outlet power strip with USB port L8"	1 pc
UTRUSTA LED countertop light 15"*	1 pc
ANSLUTA remote control	1 pc

* You can take the combinations above as a starting point for creating your own solution. To make a combination that fits your kitchen, you can add as many UTRUSTA LED countertop light units as needed (15", 18" or 24"). If you have more than 10 units, you need to add one more UTRUSTA countertop light with power supply.

COMBINATIONS FOR UTRUSTA

L-shaped kitchen

You can use either UTRUSTA intermediate connection cord or corner joint. If you want to use UTRUSTA corner joint, that's where you start building. Your system always needs to be built using UTRUSTA LED countertop light with power supply 15" on the left side.

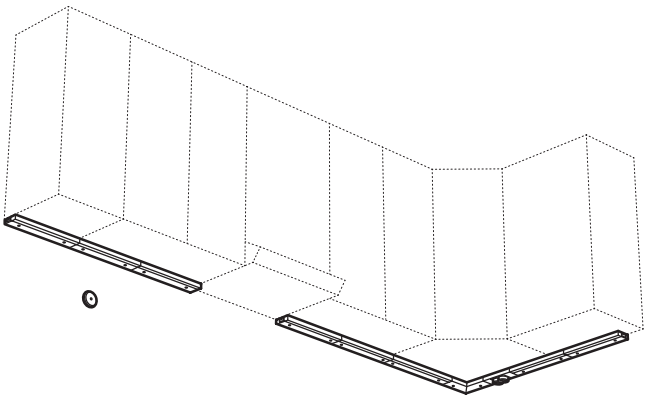


Hood to the side.

Product name

Quantity

UTRUSTA LED countertop light with power supply 15"	1 pc
UTRUSTA LED countertop light 15"*	2 pcs
UTRUSTA LED countertop light 24"*	2 pcs
UTRUSTA 2 outlet power strip with USB port 8"	1 pc
UTRUSTA LED countertop light 15"*	2 pcs
UTRUSTA intermediate connection cord	1 pc
ANSLUTA remote control	1 pc



Hood in the middle. You need 2 UTRUSTA LED countertop light with power supply: one when you start, one after the hood.

Product name

Quantity

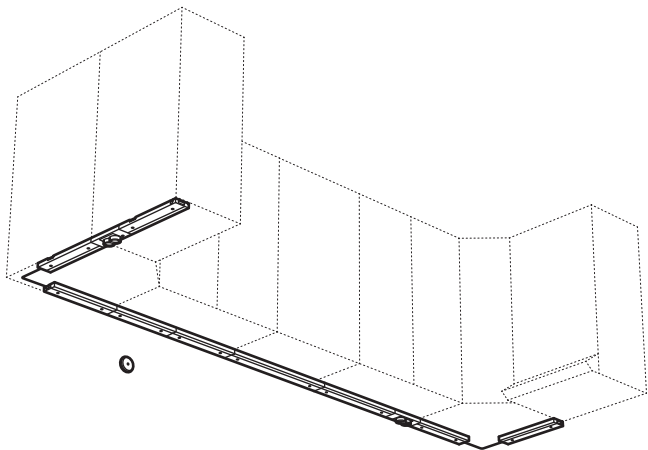
UTRUSTA LED countertop light with power supply 15"	2 pcs
UTRUSTA LED countertop light 15"*	6 pcs
UTRUSTA corner joint	1 pc
UTRUSTA 2 outlet power strip with USB port 8"	1 pc
ANSLUTA remote control	1 pc

* You can take the combinations above as a starting point for creating your own solution. To make a combination that fits your kitchen, you can add as many UTRUSTA LED countertop light units as needed (15", 18" or 24"). If you have more than 10 units, you need to add one more UTRUSTA LED countertop light with power supply.

COMBINATIONS FOR UTRUSTA

U-shaped kitchen

You can use either UTRUSTA intermediate connection cord or corner joint. If you want to use UTRUSTA corner joint, that's where you start building. Your system always needs to be built using UTRUSTA LED countertop light with power supply 15" on the left side.

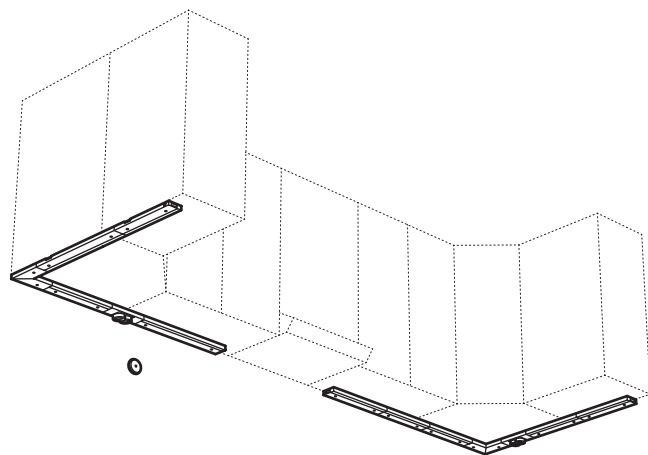


Hood to the side.

Product name

Quantity

UTRUSTA LED countertop light with power supply 15"	1 pc
UTRUSTA 2 outlet power strip with USB port 8"	2 pcs
UTRUSTA LED countertop light 15"*	4 pcs
UTRUSTA intermediate connection cord	2 pcs
UTRUSTA LED countertop light 15"*	2 pcs
UTRUSTA LED countertop light 24"*	2 pcs
ANSLUTA remote control	1 pc



Hood in the middle. You need 2 UTRUSTA LED countertop light with power supply: one when you start, one after the hood.

Product name

Quantity

UTRUSTA LED countertop light with power supply 15"	2 pcs
UTRUSTA LED countertop light 24"*	2 pcs
UTRUSTA corner joint	2 pcs
UTRUSTA LED countertop light 15"*	1 pcs
UTRUSTA 2 outlet power strip with USB port 8"	2 pcs
UTRUSTA LED countertop light 15"*	4 pcs
ANSLUTA remote control	1 pc

* You can take the combinations above as a starting point for creating your own solution. To make a combination that fits your kitchen, you can add as many UTRUSTA LED countertop light units as needed (15", 18" or 24"). If you have more than 10 units, you need to add one more UTRUSTA LED countertop light with power supply.

HOW TO BUILD

OMLOPP LED countertop lighting

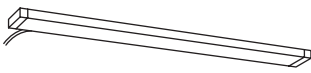
OMLOPP LED countertop lighting is easy to install by yourself. See the list below for all parts and accessories that you need.

Start by choosing the number of OMLOPP light strips that you need.

- Add the correct ANSLUTA transformer: 10W or 30W.
- Add the power cord.
- Add a remote control to dim lights in 2 steps. The whole combination will turn on and off at the same time.

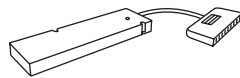
If you want, you can complete the system with other products, like spotlights, drawer lights or cabinet lights.

Basic parts



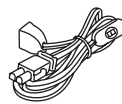
OMLOPP LED countertop light

Length: 15", 18" and 24"
Color: white and aluminum



ANSLUTA electronic transformer

Power: 10W and 30W.



ANSLUTA power cord

Length: 11'6"



ANSLUTA remote control

Diameter: 3 1/8"
Color: white

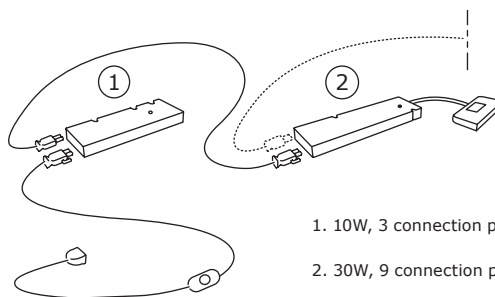
Installation accessories



ANSLUTA intermediate connection cord

Length: 28" or 79"

ANSLUTA transformers



1. 10W, 3 connection points.

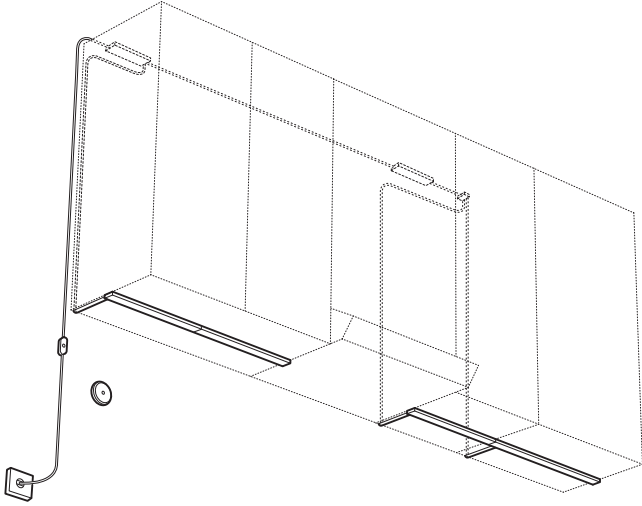
2. 30W, 9 connection points.

There are 2 different transformers in the ANSLUTA series. You choose a transformer based on how many units you want to connect. You can add up to 3 different lighting units to the 10W transformer, as long as the total wattage does not exceed the 10W limit.

The 30W transformer can support up to 9 different lighting units, as long as the total wattage does not exceed the 30W limit. You can hide the transformer on top of your kitchen cabinets. If you want to use more than 1 transformer, make sure to synchronize each transformer with the remote control so that the entire combination can be turned on and off at the same time.

To find the power consumption (watt) for each product, see All Parts and Prices on page 14.

COMBINATION FOR OMLOPP



Product name	Quantity
OMLOPP LED countertop light 15"	2 pc
OMLOPP LED countertop light 15"	1 pc
OMLOPP LED countertop light 24"	1 pc
ANSLUTA electronic transformer 10W	1 pc
ANSLUTA electronic transformer 30W	1 pc
ANSLUTA power cord	1 pc
ANSLUTA intermediate connection cord	1 pc
ANSLUTA remote control	1 pc

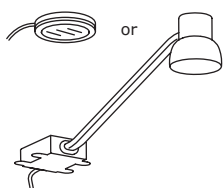
HOW TO BUILD

LED Spotlights and LED cabinet lights

Start by choosing all parts that you need.

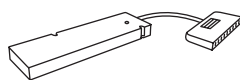
- Add the correct ANSLUTA transformer: 10W or 30W.
- Add the power cord.
- Add a remote control to dim lights in two steps. The whole combination will turn on and off at the same time.

Basic parts



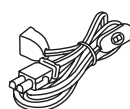
OMLOPP LED spotlights or LED cabinet lights*

Round spotlight: Ø2 $\frac{5}{8}$ ".
Rectangular spotlight: L8".
Color: white, aluminum and black.



ANSLUTA electronic transformer

Power: 10W and 30W.



ANSLUTA power cord

Length: 11'6".

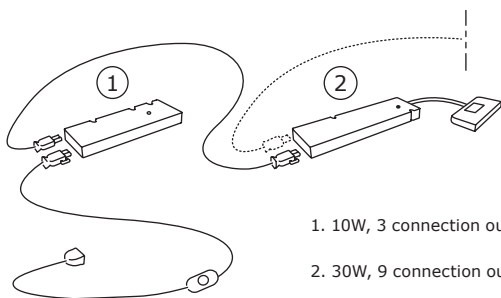


ANSLUTA remote control

Diameter: 3 $\frac{1}{8}$ ".
Color: white.

* You can use FORMAT, URSHULT, LINDSHULT and MAGLEHULT.

ANSLUTA transformers



1. 10W, 3 connection outlets.

2. 30W, 9 connection outlets.

There are 2 different transformers in the ANSLUTA series. You choose a transformer based on how many units you want to connect. You can add up to 3 different light units to the 10W transformer, as long as the total wattage does not exceed the 10W limit.

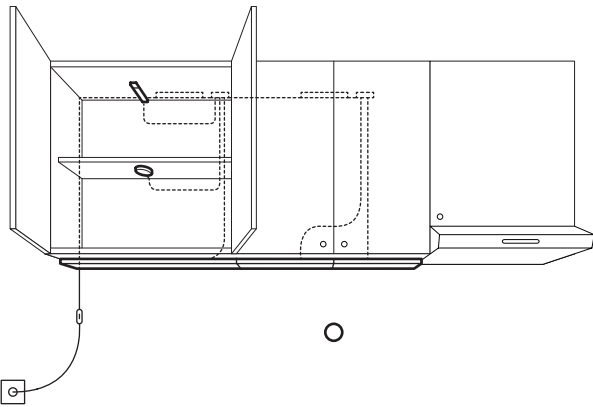
The 30W transformer can support up to 9 different light units, as long as the total wattage does not exceed the 30W limit. You can hide the transformer on top of your kitchen cabinets. If you want to use more than 1 transformer, make sure to synchronize each transformer with the remote control so that the entire combination can be turned on and off at the same time.

To find the power consumption (watt) for each product, see All Parts and Prices on page 14.

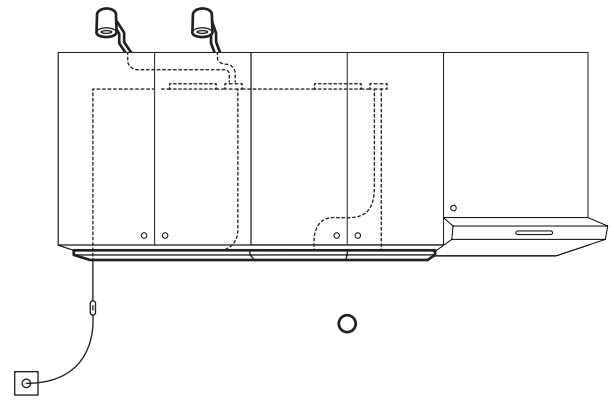
HOW TO BUILD

Combining with OMLOPP

You need ANSLUTA electronic transformer and ANSLUTA power cord. Add ANSLUTA intermediate connection cord if you're using more than one transformer.



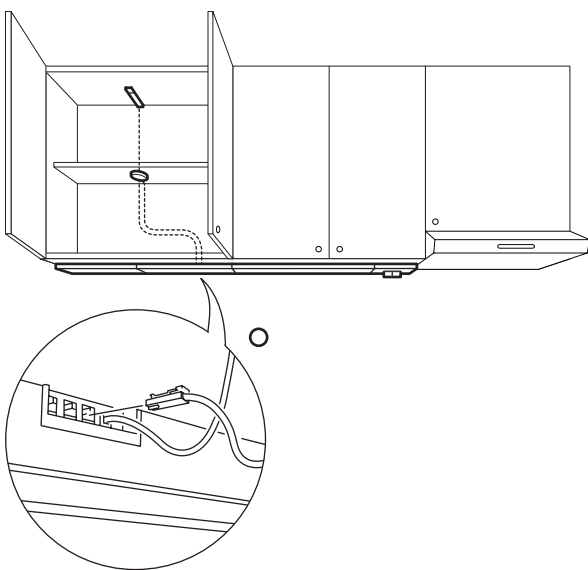
Spotlights



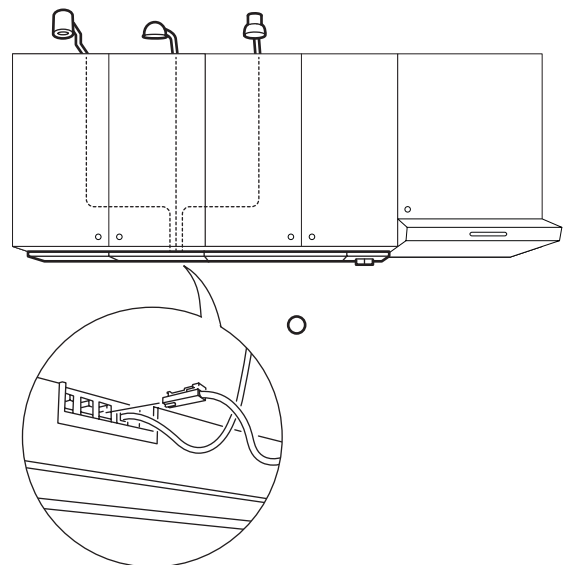
Cabinet lighting

Connecting to UTRUSTA

UTRUSTA LED countertop light system has 4 connection outlets for other units, so you don't need to buy a separate ANSLUTA transformer. You just need to synchronize your ANSLUTA remote control to dim your entire lighting system.



Spotlights



Cabinet lighting

HOW TO BUILD

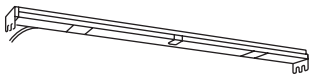
LED Drawer lighting

Start by choosing all parts that you need.

- Add the correct ANSLUTA transformer: 10W or 30W.
- Add the power supply cord.

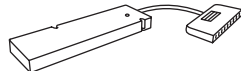
The LED light strip has a motion sensor, so that the light turns on and off automatically as you open and close the drawer.

Basic parts



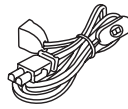
OMLOPP LED light strip for drawers

Length: 14", 17", 23", 29" and 34".
Perfect for your 15", 18", 24", 30" or 36" SEKTION cabinets.



ANSLUTA transformer

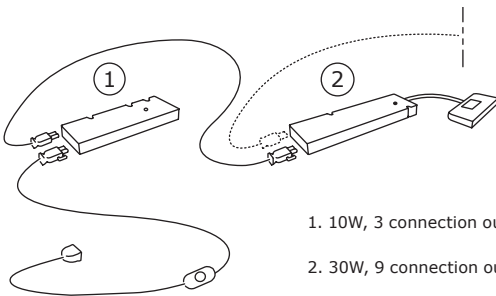
Power: 10W and 30W.



ANSLUTA power cord

Length: 11'6".

ANSLUTA transformers



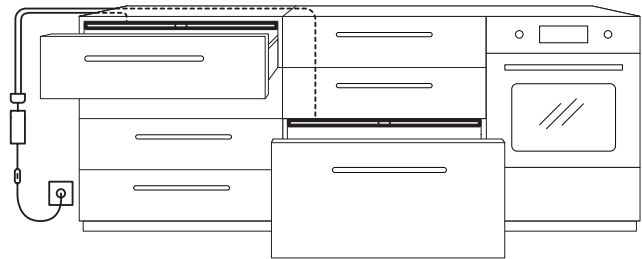
1. 10W, 3 connection outlets.

2. 30W, 9 connection outlets.

There are 2 different transformers in the ANSLUTA series. You choose a transformer based on how many units you want to connect. You can add up to 3 different light units to the 10W transformer, as long as the total wattage does not exceed the 10W limit.

The 30W transformer can support up to 9 different light units, as long as the total wattage does not exceed the 30W limit. You can hide the transformer on top of your kitchen cabinets. If you want to use more than 1 transformer, make sure to synchronize each transformer with the remote control so that the entire combination can be turned on and off at the same time.

How to install



Buy a separate transformer for your drawer lights. It will be easier to install. Add ANSLUTA intermediate connection cord if you have more than 1 transformer.

To find the power consumption (watt) for each product, see All Parts and Prices on page 14.

ALL PARTS AND PRICES



UTRUSTA LED countertop light with power supply. L15". Dimmable in two steps using the ANSLUTA remote control. Hardwired installation. LED life approx. 20,000 hours. 5.3 watt.

White	002.957.33	\$59.99
Aluminum-color	402.795.90	\$59.99



UTRUSTA LED countertop light L15". Dimmable in two steps using the ANSLUTA remote control. Hardwired installation. LED life approx. 20,000 hours. 5.3 watt.

White	602.957.30	\$59.99
Aluminum-color	802.883.33	\$59.99



UTRUSTA LED countertop light L18". Dimmable in two steps using the ANSLUTA remote control. Hardwired installation. LED life approx. 20,000 hours. 6.0 watt.

White	402.957.31	\$64.99
Aluminum-color	002.883.32	\$64.99



UTRUSTA LED countertop light L24". Dimmable in two steps using the ANSLUTA remote control. Hardwired installation. LED life approx. 20,000 hours. 7.7 watt.

White	202.957.32	\$74.99
Aluminum-color	202.883.31	\$74.99



OMLOPP LED countertop light L15". To be completed with ANSLUTA electronic transformer and power cord, sold separately. Dimmable in two steps using the ANSLUTA remote control. LED life approx. 20,000 hours. 5.3 watt.

White	402.957.26	\$34.99
Aluminum-color	102.909.66	\$34.99



OMLOPP LED countertop light L18". To be completed with ANSLUTA electronic transformer and power cord, sold separately. Dimmable in two steps using the ANSLUTA remote control. LED life approx. 20,000 hours. 7.7 watt.

White	202.957.27	\$39.99
Aluminium-colour	802.883.52	\$39.99



OMLOPP LED countertop light L24". To be completed with ANSLUTA electronic transformer and power cord, sold separately. Dimmable in two steps using the ANSLUTA remote control. LED life approx. 20,000 hours. 10 watt.

White	002.957.28	\$44.99
Aluminum-color	602.883.53	\$44.99



OMLOPP LED spotlight . To be completed with UTRUSTA series or with ANSLUTA electronic transformer and power cord, sold separately. Dimmable in two steps using the ANSLUTA remote control. LED life approx 20,000 hours. Ø2½". 2.4 watt.

White	902.883.42	\$9.99
Aluminum-color	102.883.41	\$9.99
Black	702.883.43	\$9.99



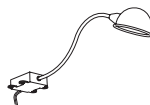
OMLOPP LED spotlight To be completed with UTRUSTA series or with ANSLUTA electronic transformer and power cord, sold separately. Dimmable in two steps using the ANSLUTA remote control. LED life approx 20,000 hours. L7¾". 1.7 watt.

White	002.883.46	\$9.99
Aluminium-colour	602.957.25	\$9.99
Black	502.883.44	\$9.99



OMLOPP LED light strip for drawers. Aluminum-color. The light switches on and off automatically when you open or close the drawer. To be completed with UTRUSTA series or with ANSLUTA electronic transformer and power cord, sold separately. LED life approx. 20,000 hours.

L14" 2 watt	802.883.47	\$29.99
L17" 2 watt	602.883.48	\$32.99
L23" 2 watt	402.883.49	\$34.99
L29" 4 watt	702.966.73	\$36.99
L34" 4 watt	202.883.50	\$39.99



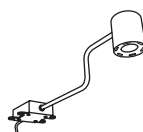
FORMAT LED cabinet light. Built-in LED light source. To be completed with ANSLUTA electronic transformer and ANSLUTA power supply cord, sold separately. Dimmable in two steps using the ANSLUTA remote control. LED life 25,000 hours. 2.0 watt.

Nickel-plated	602.603.87	\$24.99
---------------	------------	----------------



LINDSHULT LED cabinet light Built-in LED light source. To be completed with ANSLUTA electronic transformer and ANSLUTA power supply cord, sold separately. Dimmable in two steps using the ANSLUTA remote control. LED life 25,000 hours. 2.0 watt.

Nickel-plated	302.604.40	\$24.99
---------------	------------	----------------



URSHULT LED cabinet light Built-in LED light source. To be completed with ANSLUTA electronic transformer and ANSLUTA power supply cord, sold separately. Dimmable in two steps using the ANSLUTA remote control. LED life 25,000 hours. 2.8 watt.

Nickel-plated	602.604.05	\$24.99
White	702.604.00	\$24.99



MAGLEHULT LED cabinet/picture light Built-in LED light source. To be completed with ANSLUTA electronic transformer and ANSLUTA power supply cord, sold separately. Dimmable in two steps using the ANSLUTA remote control. LED life 25,000 hours. 2.8 watt.

Black	203.123.69	\$14.99
Aluminum-color	702.920.57	\$14.99



UTRUSTA corner joint The corner joint makes it possible to connect UTRUSTA light units in a corner.

White	802.957.29	\$35
Aluminum-color	102.883.36	\$35



UTRUSTA 2 outlet power strip with USB port Plug in your coffee maker and food processor and charge your phone from the same power strip.

White	802.957.34	\$30
Aluminum-color	502.793.25	\$30



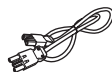
ANSLUTA electronic transformer. White. To be completed with ANSLUTA power cord, sold separately. Connect up to 3 lights to the 10 watt transformer and up to 9 lights to the 30 watt transformer as long as the total wattage does not exceed 10 watt/30 watt respectively.

10W	903.201.82	\$12
30W	502.883.39	\$30



ANSLUTA remote control. Makes it possible to turn on/off and dim all UTRUSTA and OMLOPP light units and cabinet lights connected in a chain simultaneously. Requires 2 AAA batteries, sold separately. Ø3½"

White	802.883.28	\$14.99
-------	------------	----------------



UTRUSTA intermediate connection cord 39" The intermediate connection cord makes it possible to connect several UTRUSTA units in a chain with one connection to the main power supply while leaving free space between units for your range or hood fan.

White	902.883.37	\$20
-------	------------	-------------



ANSLUTA power cord 11'6". Main power source cord for 1 or up to 10 connected ANSLUTA transformers. Press the cord switch to turn them all on or off simultaneously.

White	301.214.11	\$5
-------	------------	------------



ANSLUTA intermediate connection cord 28". Allows connection of several lights together with one connection to the main power supply.

White	401.199.26	\$4
-------	------------	------------



ANSLUTA intermediate connection cord 79". Allows connection of several lights together with one connection to the main power supply.

White	601.199.25	\$5
-------	------------	------------

You can do it yourself, but you don't have to.

Sometimes a little help is all you need to turn a dream into a reality, which is why we offer a wide range of services to help you along the way. Maybe you just need a little help, or perhaps someone to do the whole job for you. Either way we're here to help, and are happy to put together a service package that's just right for you. Of course, the more you do yourself, the lower the price will be. And the more you ask us to do for you, the more you can sit back and relax.



DELIVERY SERVICE

We can arrange delivery (by an independent company) of your purchases, directly to your home or business. Same day and next day deliveries are available.



PICKING AND DELIVERY

We will collect the products on your shopping list from throughout the store and arrange delivery (by an independent company) of everything to your home or business.

BEGIN SKETCHING YOUR LIGHTING NEEDS!

